

Sink Quadra

Kitchen Sinks

Code: 1205 050



DETAILS

Edge/Installation Type Flat Edge

Finish Foster brushed

Material AISI 304 stainless steel

Texture Brushed in line

Base 45 cm

Dimensions 479x510 mm

Standard fittings Fixing hooks, gasket, drain, overflow and siphon, boxed packing

Mixer holes 2 standard holes

Built-in hole 459x495 mm

Drainer	No
Width	48 cm
Bowl dimension	400x400mm
Number of bowls	1 bowl
Waste fitting	Drain with automatic PM control

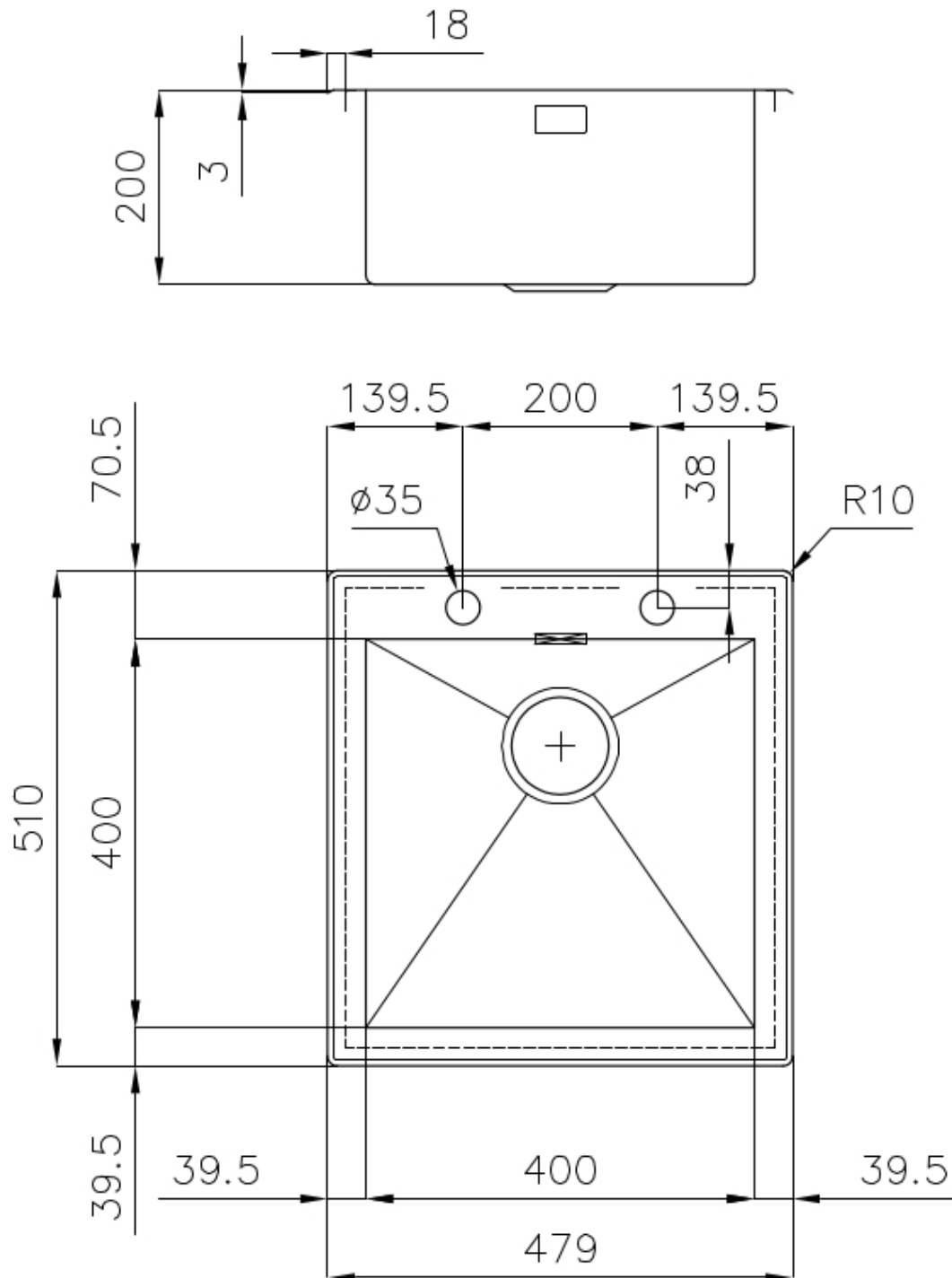
FEATURES

Double mixer hole	The large tap counter is already fitted with a series of 2 tap holes. In the second hole it is possible to install the remote control of the automatic drain or, alternatively, a practical soap dispenser.
Diamond-shape bottom	The draining of water is an important feature in a sink, and it's always taken good care of in Foster products. In the bent-welded sinks, which would have a flat bottom, the proper draining is guaranteed by the elegant beveling, which helps the water flow.
High thickness	1mm thick steel. A significant thickness, which guarantees the maximum sturdiness and durability.
Automatic waste fitting	The waste-fitting with round remote knob is supplied; a practical accessory which makes it unnecessary to get wet in order to drain the water from the bowl.
Basket 3,5" waste fitting	The drain is equipped with a large 3.5" drain, with the practical basket cap that prevents the discharge of solid parts.
Perimetral overflow	The overflow is always a security on the Foster sinks that prevents the overflow of water in case of oversights. The perimeter drain solution improves aesthetics thanks to its square and essential shape.
Small radius	Bowls with squared shapes with a modern design and an increased capacity, for a minimal aesthetics connected with an extreme practicality.

Deep bowls

This bowls reach an important depth, over 20 cm, thanks to the advanced production technology, that can offer great capicity and praticity in all the washing operations.

TECHNICAL DATA



EQUIPMENT



Automatic waste fitting
8407 113

OPTIONAL ACCESSORIES



Cestello inox
8612 000



Glass chopping board
8631 300



HPDE Chopping board
8657 001



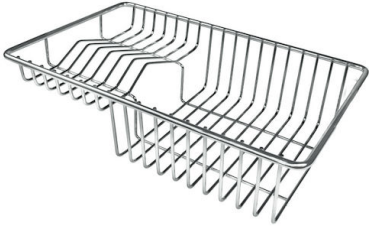
HPDE Twin chopping board
8644 101



Stainless steel colander
8154 000



Stainless steel plate rack
8100 154



Stainless steel plate rack

8100 303

* only in combination with the accessory
8644 101



White bowl

8153 100



**Graters kit with ring-holder and
food collection tray**

8159 101

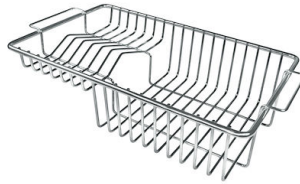
* only in combination with the accessory
8644 101



Stainless steel perforated tray

8151 000

* only in combination with the accessory
8644 101



Stainless steel plate rack

8100 201

RECOMMENDED PAIRINGS



Mixer Tap Twix Plus

8427 020